



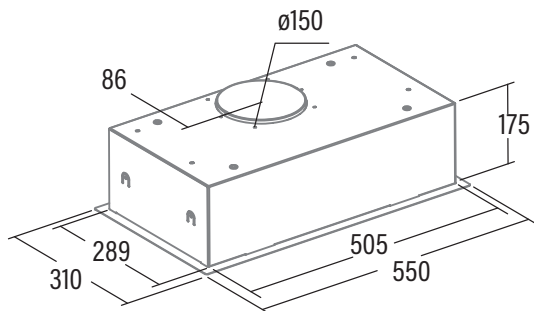
## GCB 55 X



GCB 55 X

Cod. **02030300** EAN **8422248108454**

- Mechanical Control Panel**
- 3 extraction levels
- Extraction power (according to UNE/EN 61591): **371m<sup>3</sup>/h** - 282m<sup>3</sup>/h
- Sound power (Reg.(EU) n°65/2014): **59dB(A)**, maximum: 66dB(A)
- 1 motor. Extra silent. Maximum energy consumption **120W**
- High efficiency Strip Led lighting**
- Energy Class: C



<b>Code</b>	<b>02030300</b>
<b>EAN</b>	<b>8422248108454</b>
<b>Model</b>	<b>GCB 55 X</b>
<b>Type</b>	<b>Canopy</b>
<b>Product fiche according to directives EU65/2014 - EN61591, EN60704-2-13, EN50564</b>	
AEC (Annual Energy consumption) (kWh/annum)	54
EEl class (Energy Efficiency Class)	C
FDE (Fluid Dynamic Efficiency)	10,1
FDE class (Fluid Dynamic Efficiency Class)	E
LE (Lighting Efficiency) (lux/W)	30,4
LE class (Lighting Efficiency Class)	A
GFE (Grease Filtering Efficiency)	58,3
GFE Class (Grease Filtering Efficiency class)	E
Air flow at minimum speed (m3/h)	282
Air flow at maximum speed (m3/h)	371,1
Air flow at intensive speed (TURBO) (m3/h)	-
Sound Power Level at minimum speed (dB)	59
Sound Power Level at maximum speed (dB)	65,9
Sound Power Level at intensive speed (TURBO) (dB)	-
Po (Power Consumption in off mode) (W)	0
Ps (Power Consumption in standby) (W)	0
<b>Integration directive EU 66/2014</b>	
f (Time Increase Factor)	1,64
EEl (Energy Efficiency Index)	83,6
QBEP (Flow Rate at Best Efficiency Point) (m3/h)	197,5
PBEP (Static Pressure Difference at Best Efficiency Point) (Pa)	161
WBEP (Electric Power Input at Best Efficiency Point) (W)	87,2
WL (Nominal Power Consumption of Lighting system) (W)	3
EMIDDLE (Average Illumination of Lighting system on Cooking surface) (lux)	91,2
<b>External Dimensions</b>	
Width (mm)	550
Depth (mm)	310
Total max height(mm)	187
Total min height(mm)	187
Outlet Diameter (mm)	150/125
<b>Characteristics</b>	
Motor	120W
Extraction Levels	3
Motor Maximum Power Consumption	120
Maximum Pressure	226
Intensive Speed (TURBO) Pressure	-
Control Type	<b>Mechanic</b>
Automatic shut-down timer	-
Electronic Filter Saturation Indicator	-
Filter Type	<b>Metallic</b>
Anti-grease Filter Number	2
Inner Shield	-
<b>Lighting</b>	
Light Type	CSLED
Adjustable Intensity Lighting	-
N° of Lamps	1
<b>Installation</b>	
Minimum height distance to a electric worktop hob (mm)	550
Minimum height distance to a gas worktop hob (mm)	650
Installation with Outlet tube to the exterior / Recirculating	<b>BOTH</b>
Easy Installation System	√
<b>Electric Connection</b>	
Total Rush Power (W)	123
Rated Voltage (V)	220-240
Network Frequency (Hz)	50
Electrical Insulation Class	<b>CLASS I</b>
Plug	-
<b>Accessories</b>	
Upper Decorative tube Extension	-
White Decorative Tube	-
Black Decorative Tube	-
Island Tube Enhancer	-
Check Valve	-
MAX PRO Metal Filter	-
Metal Filter	02800987
DUAL Filter (metal + active charcoal)	-
Active Charcoal Filter	02859500
Noiseless Flexible Duct	02893002